

SPECIFICATION **PRATIKA 185**

TECHNICAL DATA

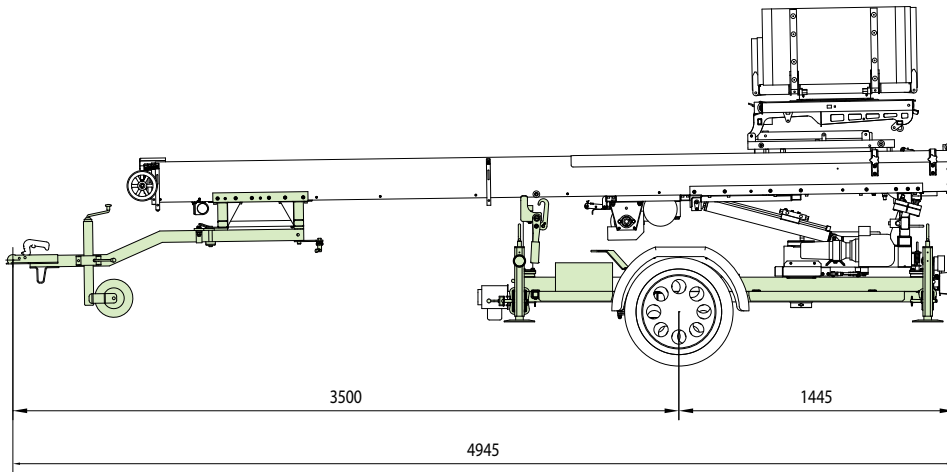
- Reduced area of stabilisation
- Elevated stability during movement
- Easy to use
- Reduced power consumption
- Mechanical lock of thrust block rotation 260°
- Rear ladder lock
- Gantry with lock for front ladder
- Recloseable drawbar

PERFORMANCE

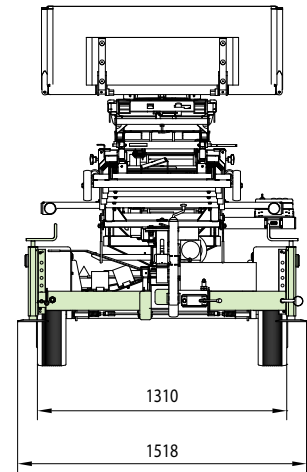
Height	18,5 m
Maximum capacity	200 kg
Total weight	710 kg
Profile dimensions	U 212 U 75
Operation electrical	1,1 kw
Safety	CE standards



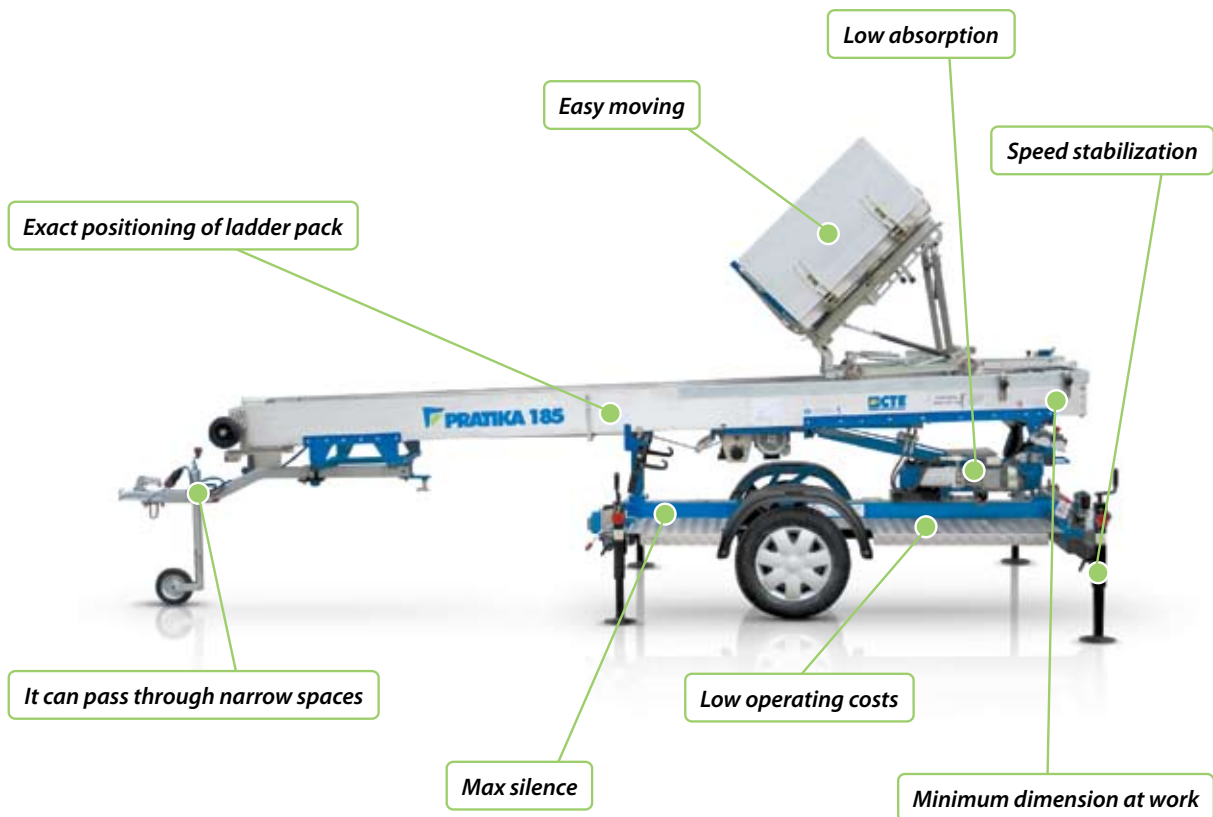
LADDER DIMENSIONS



STABILIZATION



KEY POINTS



CTE S.p.A. | www.ctelift.com

Sales Office Dolo (Ve) - dolo@ctelift.com
 ph. +39 041 51.00.130 - fax +39 041 41.38.44
 Headquarter Rovereto (Tn) - info@ctelift.com
 ph. +39 0464 48.50.50 - fax +39 0464 48.50.99
 Milano Branch S. Giuliano Milanese (Mi) - milano@ctelift.com
 ph. +39 02 98.81.100 - fax +39 02 98.28.20.96
 Bertinoro Branch & Factory (FC) - bertinoro@ctelift.com
 ph. +39 0543 44.88.30 - fax +39 0543 44.83.43

