

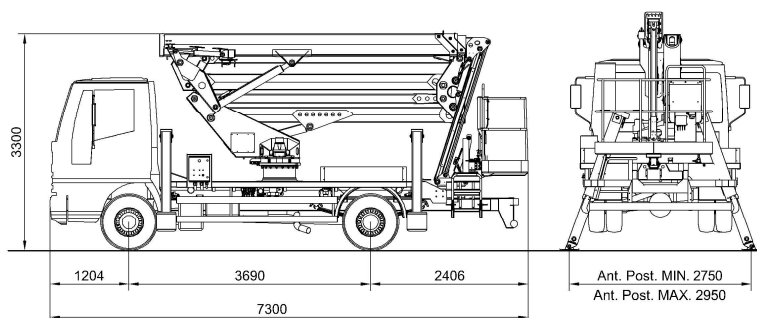
SPECIFICATION

ZED 26 J on Iveco Eurocargo – 7,5 t

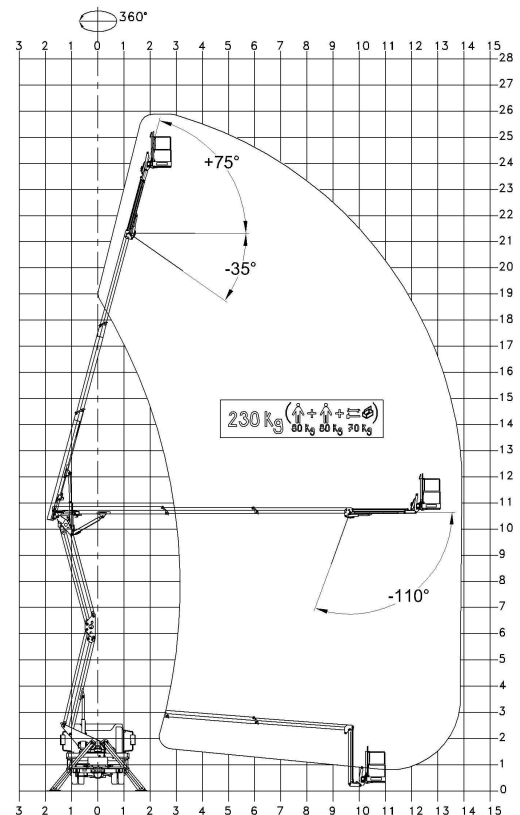
TECHNICAL DATA

- Double pantograph + telescopic boom (main boom + two extensions)+ jib
- Sigma boom movement enabled by connecting rods
- 360° continuous turret rotation on bearing turntable
- Proportional, electrohydraulic controls in basket and ground
- Engine start and stop controls from basket and ground
- Anti-slip, aluminium flatbed decking with tool tray walls
- Aluminium basket
- 65° right + 65° left hydraulic basket rotation
- Automatic hydraulically actioned basket levelling
- Basket load sensing device
- 4 hydraulic outriggers with ground pressure sensors
- Hydraulic system operated by vehicle's PTO
- 230 V AC CE electrical socket in the basket
- 1 flashing beacon
- Buzzer indicating PTO engaged
- Hour meter
- Standard boom colours blue (RAL 5017) or white (RAL 9010)
- CE certified

DIMENSIONS



WORKING ENVELOPE



PERFORMANCE

Working height	26m
Platform height	24m
Working outreach	14m
Capacity	230 kg
Basket dim	1800x700x1100 mm
GVW minimum	7,5t

Product specification are subject to change without notice or obligation. Technical features and drawings in this brochure are for illustrative purposes only. Z26J(En_7,5t Iveco) – ed. 02/10



CTE S.p.A. | www.ctelift.com

Sales Office Dolo (Ve) - dolo@ctelift.com
 ph. +39 041 51.00.130 - fax +39 041 41.36.44
 Headquarter Rovereto (Tn) - info@ctelift.com
 ph. +39 0464 48.50.50 - fax +39 0464 48.50.99
 Milano Branch S. Giuliano Milanese (MI) - milano@ctelift.com
 ph. +39 02 98.81.100 - fax +39 02 98.28.20.96
 Bertinoro Branch & Factory (FC) - bertinoro@ctelift.com
 ph. +39 0543 44.88.30 - fax +39 0543 44.83.43

