

Electric Winch -1 SA



Read through these user instructions before using the winch. Improper operation may lead to hazardous situations! These winches are intended solely for pulling. They are delivered complete with wire rope and load hook and must be securely fixed to a stable construction. Winches for 200 and 300 kg are single phase for plug connection to an earthed single phase 230 V 50 Hz socket outlet. The winches for 500, 750 and 1000 kg are only available in three-phase construction for 400 V 50 Hz and also have a plug, an IEC 60309 connector, with an integral function allowing easy swapping of two phases.

Safety rules

- Check the winch and its function before use. The rope must be correctly wound onto the drum. See Fig 3.
- Never exceed the maximum load.
- Attach the load with its load hook correctly to fixing eye, shackle or other working point on the load. Never use the wire rope from the winch as a sling round a load.
- The winch must not be used for transporting persons.
- Make sure everyone keeps a safe distance from the load or wire rope.
- Protect the winch from rain etc.
- Ambient temperature $-10^{\circ}\text{C} - +40^{\circ}\text{C}$.
- Do not pull on the control or connection cable. Handle the winch with care.

Technical data single-phase winch

Model		1 SA 200	1 SA 300
Maximum load (pulling capacity)	daN (kg)	200	300
Rope diameter	mm	6	7
Rope construction		7x19	7x19
Rope length, total	m	30	30
Rope length, max. uncoiled length	m	29	29
Rope speed	m/min	10 – 15	10 – 15
Motor output	kW	0.6	1,12
Voltage	V	single phase 230	single phase 230
Rated current	A	9	10
Fuse, time-delay	A	10	10
Protection form		IP 65	IP 65
Weight incl. rope and load hook approx.	kg	38	50

Dimensions table single-phase winch

Dimension	1 SA 200	1 SA 300
A mm	4 x dia. 10.5	4 x dia. 10.5
B mm	142	172
C mm	142	142
D mm	515	540
E mm	210	210
F mm	246	246
G mm dia.	94	90
H mm	104	134

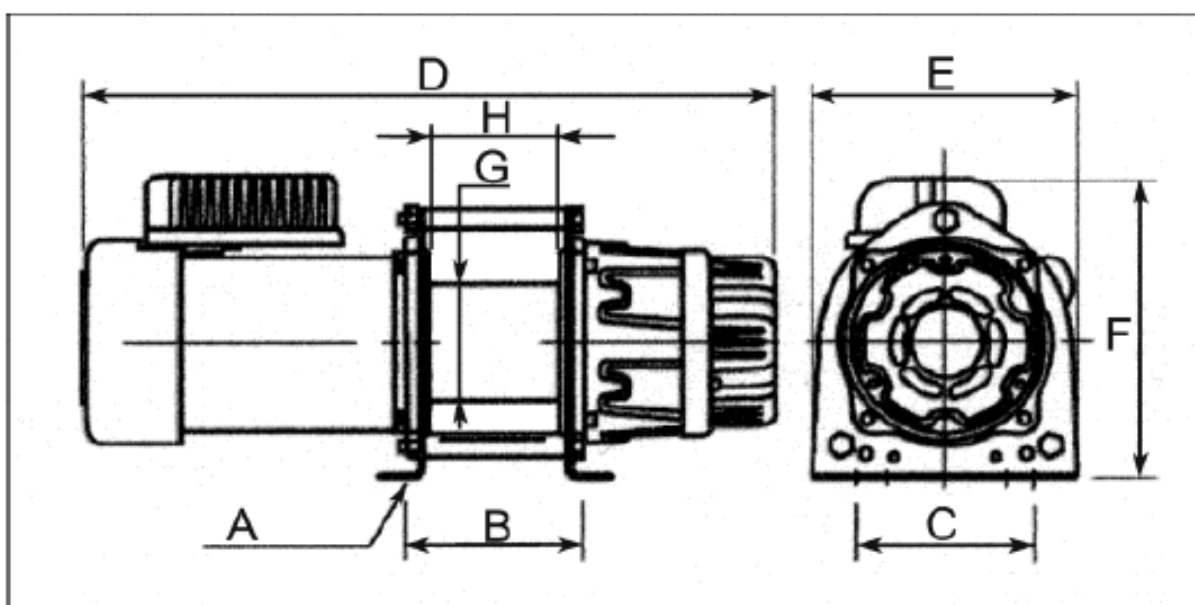


Fig 1. Dimensioned sketch of single-phase winch