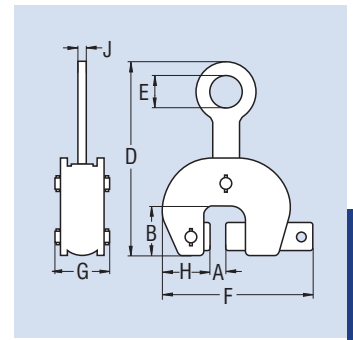
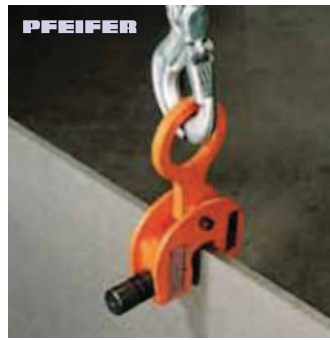


PFEIFER-RENFROE clamp model SCP

Screw clamp for vertical lifting and 180° turning of metal items of all kinds.
Max. surface hardness of the load 300 HB.
Equipped with a pivoting cam jaw.
Particularly suited for use with rolling and edging machines.

For wider loads we recommend the use of clamps in pairs attached to a double-leg sling or to a spreader beam.

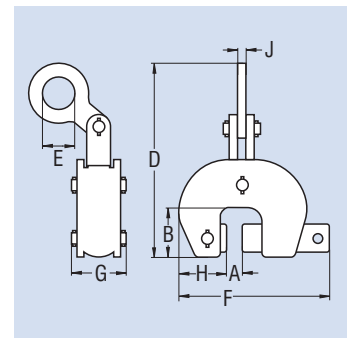


SWL kg	Gripping range A mm	Dimensions in mm							Weight approx. kg	Reference no.
		B	D	E	F	G	H	J		
500	0-19	60	229	60	168	60	48	13	3.5	121147
1500	0-32	73	268	67	214	86	60	16	6.5	121156
3000	0-51	79	305	60	275	104	71	19	8.5	121165
6000	0-64	110	394	76	341	137	87	25	20.0	121174
10000	0-76	140	489	83	416	171	112	25	42.0	121183
15000	0-102	184	581	95	552	210	141	32	95.0	135082

PFEIFER-RENFROE clamp model SCPA

Screw clamp with pivoting suspension eye, for vertical lifting and 180° turning of metal items of all kinds.
Max. surface hardness of the load 300 HB.
Equipped with a pivoting cam jaw.
Particularly suited for use with rolling and edging machines, and for lateral attachment to the load.

For wider loads we recommend the use of clamps in pairs attached to a double-leg sling or to a spreader beam.

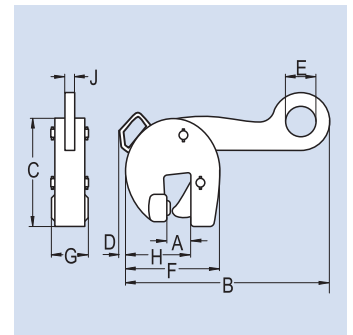


SWL kg	Gripping range A mm	Dimensions in mm							Weight approx. kg	Reference no.
		B	D	E	F	G	H	J		
500	0-19	60	284	60	168	60	48	13	3.5	121185
1500	0-32	73	346	67	214	86	60	16	6.5	121194
3000	0-51	79	354	60	275	104	71	19	8.5	121203
6000	0-64	110	484	76	341	137	87	25	25.3	121212
10000	0-76	140	680	83	416	171	112	25	42.0	121221
15000	0-102	184	581	95	552	210	141	32	95.0	135083

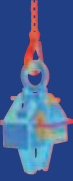
PFEIFER-RENFROE clamp model AST-S

Lifting/turning clamp with serrated gripping cams and safety device, lock-closed feature. Holds the girder almost horizontally in both directions. It facilitates the turning process when the lifting shackle is arranged outside the girder.

For wider loads we recommend the use of clamps in pairs attached to a double-leg sling or to a spreader beam.



SWL kg	Gripping range A mm	Dimensions in mm								Weight approx. kg	Reference no.
		B	C	D	E	F	G	H	J		
500	0-19	281	170	26	44	152	45	90	13	4	190904
1500	0-19	337	216	35	64	178	57	100	16	9	190920
3000	0-38	527	318	43	95	279	85	170	19	24	190923



Lifting clamps and grabs