

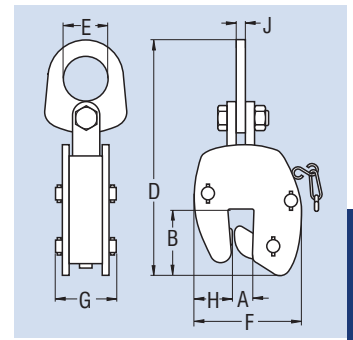
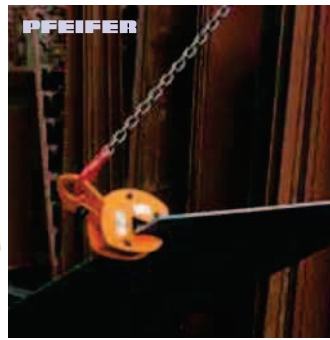
PFEIFER-RENFROE clamp model CS

with pivoting lifting shackle

Lifting clamp with universal joint, safety device, lock-closed feature. The lock-closed feature also holds the clamp tight when the load is unintentionally released.

Suitable for the vertical lifting and 180° turning of sheets and girders.

The pivoting shackle enables easy handling due to unmatched attachment angles. Even lateral attachment to the load is allowed.



the allround clamp

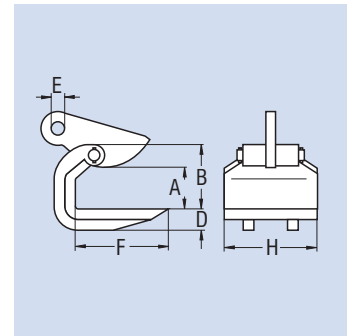
SWL kg	Gripping range A mm	Dimensions in mm							Weight approx. kg	Reference no.
		B	D	E	F	G	H	J		
500	0-15	50	220	43	100	56	32	9.5	2.2	121047
500	15-30	50	220	43	115	56	32	9.5	1.5	121053

PFEIFER-RENFROE clamp model H

Horizontal lifting clamp for handling inherently stacked bundles of sheets and steel plates.

The lifting clamps are fastened to suitable slings and attached at three or more points on the load being handled.

With long loads, we recommend using a spreader beam.



SWL kg	Gripping range A mm	Dimensions in mm					Weight approx. kg	Reference no.
		B	D	E	F	H		
250	0-25	70	13	25	90	76	2.0	121666
500	0-51	108	13	36	143	178	6.5	121669
750	0-51	111	16	36	143	178	8.7	121672
1500	0-51	111	19	36	143	178	10.0	121675
3000	0-51	111	41	36	143	178	11.0	121678
4000	0-65	145	55	36	190	178	19.0	121681

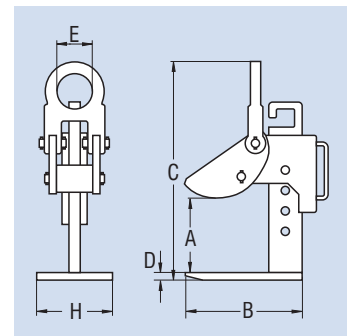
PFEIFER-RENFROE clamp model WHS

High-performance horizontal lifting clamp for transporting dimensionally stable sheets and sheet stacks.

Its particular advantage: using a locking pin, the gripping range can be quickly changed from 0 to a maximum of 406 mm.

Integrated springs hold the gripping cams open and facilitate attachment.

The lifting clamps are fastened to suitable slings and attached at three or more points on the load being handled.



With long loads, we recommend using a spreader beam.

SWL kg	Gripping range A mm	Dimensions in mm					Weight approx. kg	Reference no.
		B	C	D	E	H		
500	0-152	275	360	16	89	213	20	121853
500	0-305	330	587	16	89	213	28	121865
500	0-406	330	691	16	89	213	29	121866
1500	0-152	275	364	19	89	213	29	121867
1500	0-305	330	591	19	89	213	40	121879
1500	0-406	330	694	19	89	213	46	121880