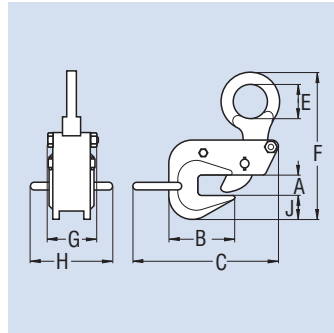


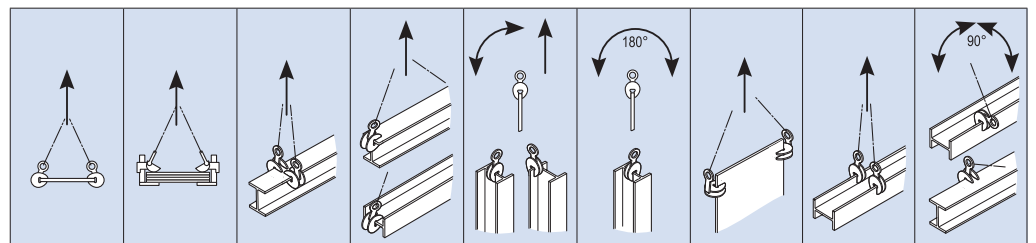
PFEIFER-RENFROE clamp model M

Horizontal lifting clamp for dimensionally stable sheets, sheet stacks and profiles. The wide, split lower jaw is particularly suitable for gripping steel girders, regardless of whether from the side or the end. With safety-latch system; can be locked closed.

Used for handling girders in pairs, for handling sheets and bundles of sheets, slings with three clamps or more.



SWL kg	Gripping range A mm	Dimensions in mm							Weight approx. kg	Reference no.
		B	C	E	F	G	H	J		
500	0-25	59	180	57	225	70	70	37	3.38	121457
500	19-38	59	180	57	238	70	70	37	4.00	121468
1000	0-25	63	292	57	241	70	117	48	5.00	121469
1000	19-38	63	292	57	254	70	117	48	5.00	121481
1000	32-51	63	292	57	267	70	117	48	6.00	121482
2000	0-32	81	333	78	310	98	138	51	9.70	121483
2000	25-51	81	333	78	329	98	138	51	10.00	121495
2000	44-70	81	333	78	348	98	138	51	11.00	121496
4000	0-38	97	378	92	380	111	145	70	16.00	121497
4000	32-64	97	378	92	406	111	145	70	17.00	121509
8000	0-51	125	520	102	510	133	150	102	44.00	121511
8000	44-89	125	520	102	548	133	150	102	45.00	121522
8000	83-127	125	520	102	586	133	150	102	50.00	121523



The main areas of application of the RENFROE products illustrated on pages 83 and 84 can be seen in the adjacent pictogram table and in the table on page 87.

M	●	●	●	●					
H	●	●							
WHS	●	●							
CS					●	●	●	●	●