

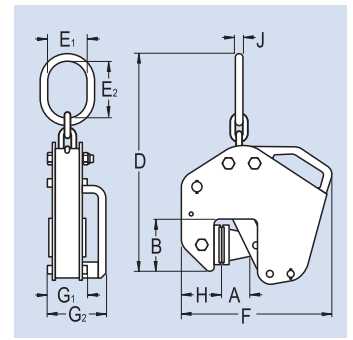
PFEIFER lifting clamp model SG



Lifting clamp with large, coated gripping pads for materials with sensitive surfaces.

Suitable for the vertical lifting and 180° turning of sheets, steel plates, girders and structural steel elements. Also suitable for materials with sensitive surfaces (stainless steel, plastic and particle board etc. – not for polished surfaces!). The lifting clamp is operated by slewing the handle, no adjustment is necessary. The load surfaces must be clean, dry and free of lubricating grease.

For wider loads we recommend the use of clamps in pairs attached to a double-leg sling or to a spreader beam.



SWL kg	Gripping range A mm	Dimensions in mm							Weight approx. kg	Reference no.
		B	D	E1/E2	F	G1/G2	H	J		
1000	0-50	100	625	75/110	270	80/115	75	13	11.5	175860

PFEIFER-RENFROE clamp model NM

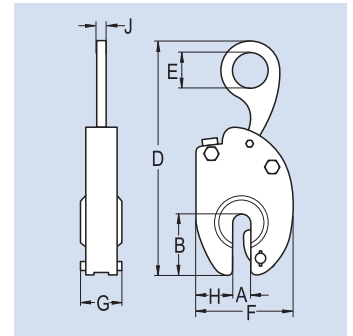
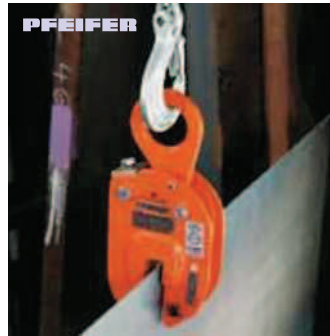


Lifting clamp with large, smooth gripping pads for metals which have sensitive surfaces or which are hard.

Suitable for the vertical lifting and 90° turning of sheets, steel plates, girders and structural steel elements.

The jaw can be pre-adjusted to any gripping range using an adjusting screw. After attachment, the adjusting screw must be tightened. The load surfaces must be clean, dry and free of lubrication grease.

For wider loads we recommend the use of clamps in pairs attached to a double-leg sling or to a spreader beam.



SWL kg	Gripping range A mm	Dimensions in mm							Weight approx. kg	Reference no.
		B	D	E	F	G	H	J		
1000	0-19	116	346	60	150	81	60	16	8.0	121550
1000	19-32	116	346	60	162	81	60	16	9.0	121563
2000	0-25	131	406	79	171	95	73	16	10.3	121567
2000	19-38	131	406	79	184	95	73	16	11.0	121579
4000	6-40	137	470	75	197	114	75	25	20.5	121584
4000	40-72	137	470	75	235	114	75	25	23.0	121596
4000	76-108	137	470	75	266	114	75	25	25.0	121598

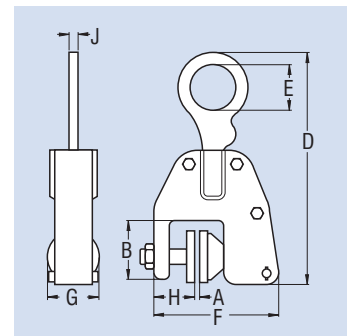
PFEIFER lifting clamp model SP



Vertical turning lifting clamp with safety device, lock-closed feature.

Suitable for the lifting and 90° turning of materials with sensitive surfaces (stainless steel, plastic and particle boards etc. – not for polished surfaces!). The specially coated gripping pads can be continuously adjusted with an adjusting screw.

For wider loads we recommend the use of clamps in pairs attached to a double-leg sling or to a spreader beam.



SWL kg	Gripping range A mm	Dimensions in mm							Weight approx. kg	Reference no.
		B	D	E	F	G	H	J		
300	0-30	75	290	60	200	66	70	13	4.7	121366
300	6-45	75	290	60	200	66	70	13	4.5	121367