

# Rail grabs

## Automatic rail grab with BAU/TB approval

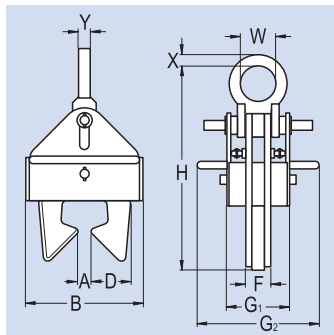
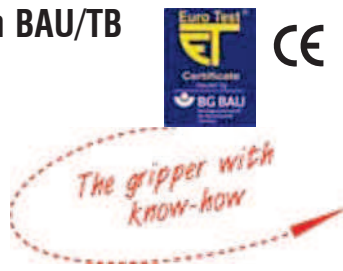
For lifting and pulling rails lengthways and crossways for rail sizes S49, S54, S60s, UIC60.

Very solid, practical design with low dead weight.

After placing the grab on the load, it locks automatically (in compliance with TBG requirements).

We warrant the rail grab for three years (except for spare parts).

Always attach the grab above the centre of gravity of the load.  
With long loads, we recommend using two or more grabs.



SWL kg	Dimensions in mm												Weight approx. kg	Reference no.
	A min.	A max.	B	D	F	G <sub>1</sub>	G <sub>2</sub>	H min.	H max.	W	X	Y		
2000	10	80	200	85	42	106	210	270	350	60	20	20	12	178196
4000	10	80	200	90	60	127	230	285	365	65	23	25	17	185063

## Rail grab

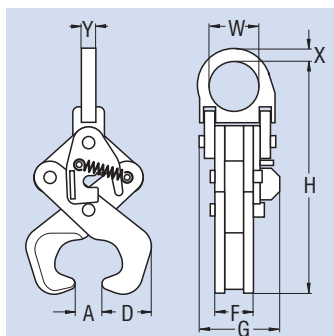
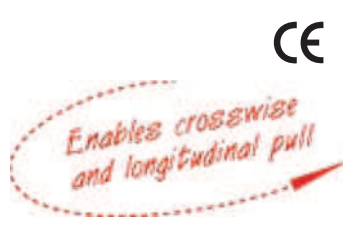
For lifting and pulling rails lengthways and crossways for rail sizes S49, S54, S60s, UIC60.

Very solid, practical design with low dead weight.

Safety device with double function: For holding open and locking under load in order to hold rails securely, even when they are overturning, i.e. the grab cannot open accidentally.

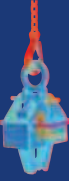
We warrant the rail grab for three years (except for spare parts).

Always attach the grab above the centre of gravity of the load.  
With long loads, we recommend using two or more grabs.



SWL kg	Dimensions in mm										Weight approx. kg	Reference no.
	A min.	A max.	D	F	G	H min.	H max.	W	X	Y		
2000	15	85	50	51	105	242	302	60	18	19	7.8	114052
4000	10	95	80	76	150	320	410	76	31	25	22.0	114062

Special gripping arms for handling other rail forms are available.



Lifting clamps and grabs