

Telescopic



1750 R



5.80m/
5.05m



1.99m



1.10m



*
1.10m/
1.50m



4.60m/
3.75m



1.25x
0.80x
1.10m



Max
200kg



*
+1.40m



Max
40%



Max
25%



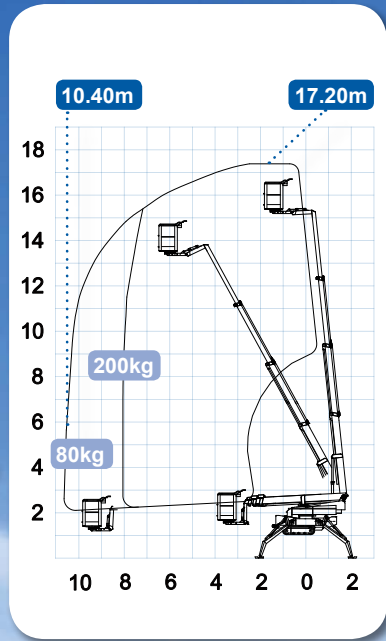
Max
35%



2900kg/
3000kg



B:0.45km/h
D:1.45km/h



* = Option

Telescopic



1950 R



6.30m/
5.55m



1.99m



1.10m



*
1.10m/
1.50m



4.60m/
3.75m



1.25x
0.80x
1.10m



Max
200kg



*
+1.40m



Max
40%



Max
25%



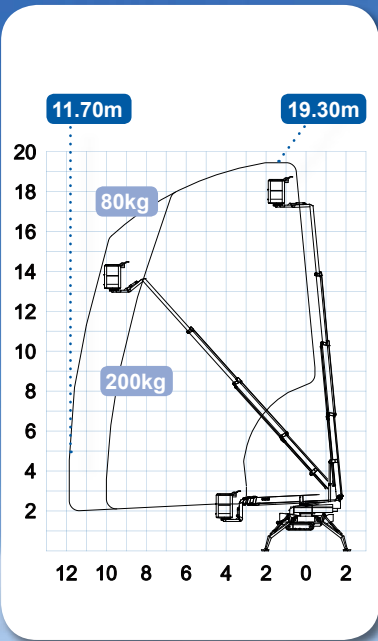
Max
35%



*
3000kg/
3100kg



B:0.45km/h
D:1.45km/h



* = Option

Telescopic



2200 R



6.40m/
5.65m



1.99m



1.10m



*
1.10m/
1.50m



4.60m/
3.75m



1.25x
0.80x
1.10m



Max
200kg



*
+1.40m



Max
40%



Max
25%



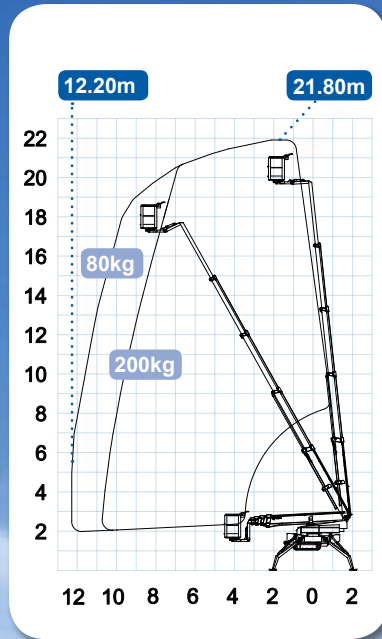
Max
35%



3050kg/
3150kg



B:0.45km/h
D:1.45km/h



* = Option

Telescopic



2600 R



7.20m/
6.45m



1.99m



1.10m



*
1.10m/
1.50m



4.60m/
3.75m



1.25x
0.80x
1.10m



Max
200kg



*
+1.40m



Max
40%



Max
25%



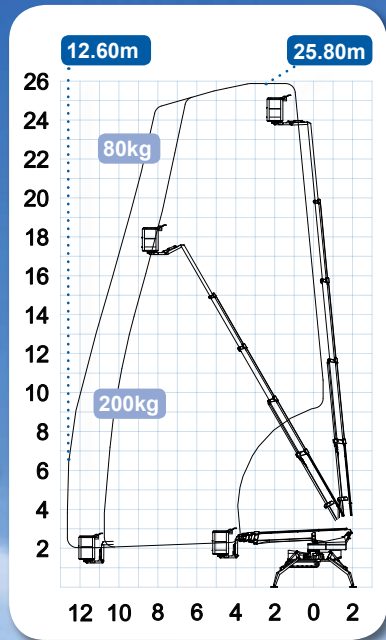
Max
35%



3625kg/
3725kg



B:0.45km/h
D:1.45km/h



* = Option

Telescopic



3000 R



8.00m/
7.25m



1.99m



1.10m



*
1.10m/
1.50m



4.60m/
3.75m



1.25x
0.80x
1.10m



Max
200kg



*
+1.40m



Max
40%



Max
25%



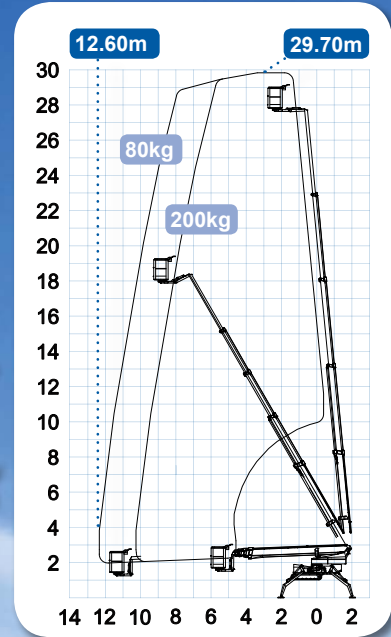
Max
35%



3900kg/
4000kg



B:0.45km/h
D:1.45km/h



* = Option

Telescopic



3700 RJ



8.00m/
7.40m



1.99m



1.10m/
1.50m



4.78m/
3.86m



1.25x
0.80x
1.10m



Max
250kg



Max
30%



Max
35%



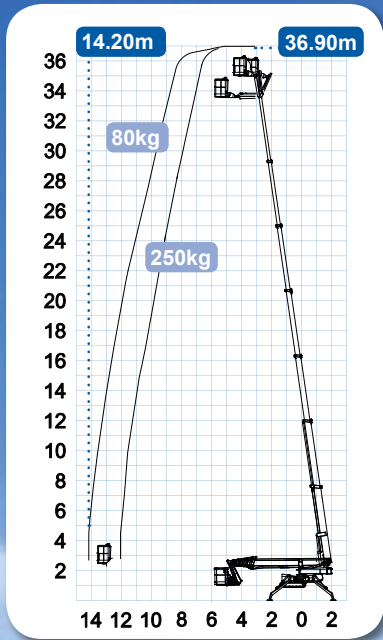
Max
35%



5500kg



B:1.45km/h
D:2.30km/h



* = Option

Articulated



1930 RX



6.00m/
5.25m



2.07m



1.10m



*
1.10m/
1.50m



4.60m/
3.75m



1.25x
0.80x
1.10m



Max
200kg



Max
40%



Max
25%



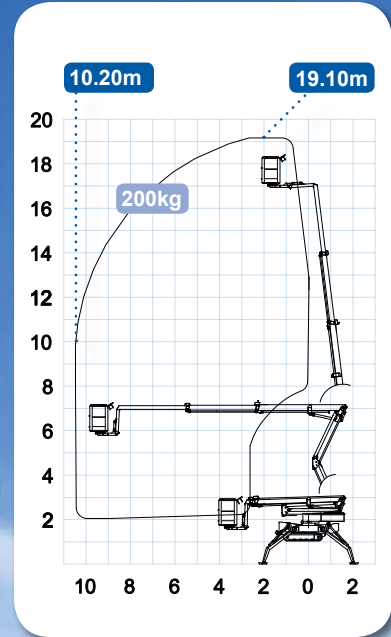
Max
35%



3250kg



B:0.45km/h
D:1.45km/h



* = Option

Articulated



2500 RXJ



6.60m/
5.85m



2.07m



1.10m



*
1.10m/
1.50m



4.60m/
3.75m



1.25x
0.80x
1.10m



Max
200kg



Max
40%



Max
25%



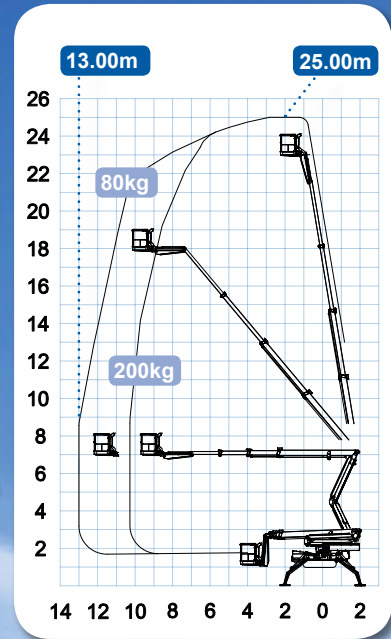
Max
35%



3975kg



B:0.45km/h
D:1.45km/h



* = Option

Articulated



2750 RXJ



7.50m/
6.75m



2.19m



1.10m/
1.50m



4.60m/
3.75m



1.25x
0.80x
1.10m



Max
250kg



Max
35%



Max
35%



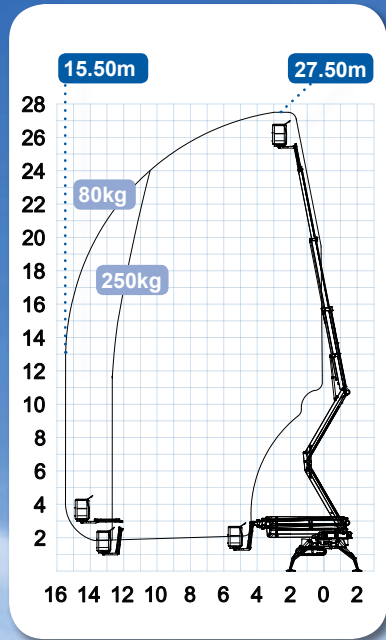
Max
35%



5050kg



B:0.45km/h
D:1.45km/h



* = Option

