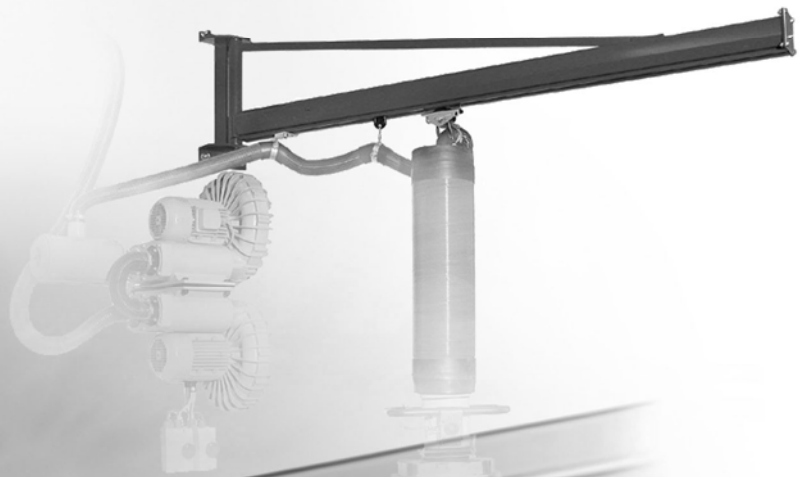


**GISKB – SLEWING CRANES:
COST-EFFECTIVE,
ROBUST, RELIABLE.**



GIS[®]

Lifting and crane technology

Faith in technology. Faith in GIS.

SLEWING PILLAR CRANE (SDR)

Containing the following components:

- 1) Pillar
- 2) Jib arm
- 3) Trolley
- 4) Traction limit
- 5) Cover with buffer
- 6) Electric supply (optional)

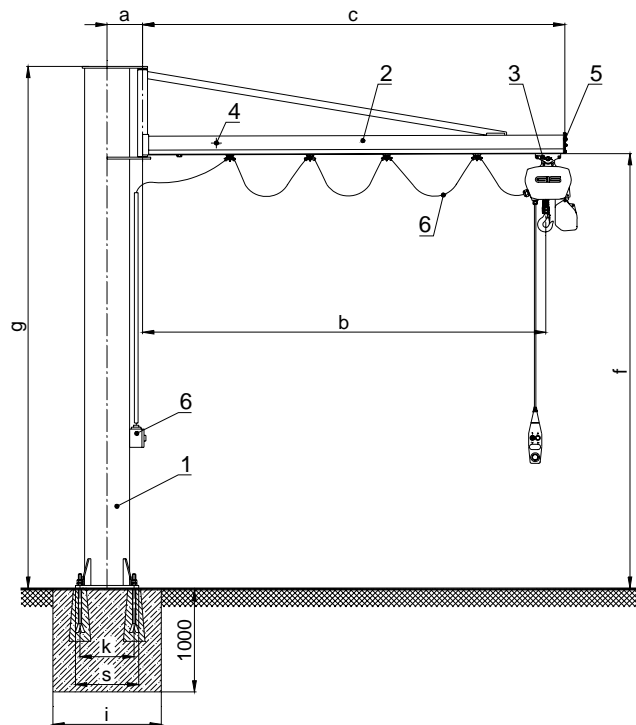
- simple and robust construction
- GISKB I + II special profile
- simple installation
- for all industrial applications

The slewing range of the jib arm is 270°.

The deflection of the jib end point with maximum load lies between $L/250$ and $L/800$ (L = total ductile length of pillar and jib arm).

Specification on electric supplies: see page 4.

Fastening material has to be provided by customer.

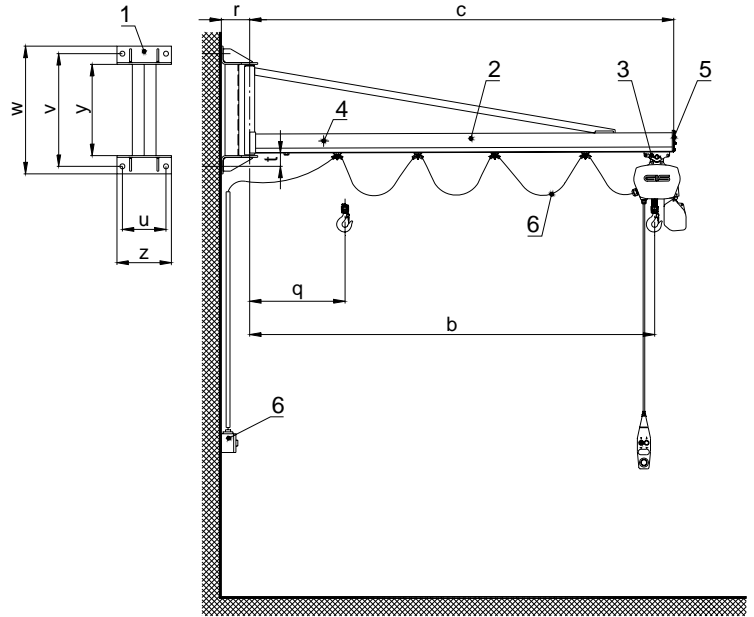


Ordering number	Load capacity	Jib length c [mm]	Measure f [mm]	Height g [mm]	k □ [mm]	s □ [mm]	GISKB	b [mm]	Bores on ground plate [mm]	a [mm]	Foundation i
	[kg]										[mm]
9311.1000/125/2	125	2000	3300	3800	300	400	I	1890	4 x ø20	265	800
9311.1001/125/3		3000						2890			950
9311.1002/125/4		4000						3890			1050
9311.1006/125/5	5000	4200	425	500	II	4880	4 x ø27	300	1200		
9311.1000/160/2	160	2000	3300	3800	300	400	I	1890	4 x ø20	265	850
9311.1001/160/3		3000						2890			1000
9311.1002/160/4		4000						3890			1100
9311.1006/160/5	5000	4200	425	500	II	4880	4 x ø27	300	1250		
9311.1003/200/2	200	2000	3300	3800	300	400	I	1890	4 x ø20	265	900
9311.1004/200/3		3000						2890			1050
9311.1005/200/4		4000						3880			1150
9311.1006/200/5	5000	4200	425	500	II	4880	4 x ø27	300	1300		
9311.1003/250/2	250	2000	3300	3800	300	400	I	1890	4 x ø20	265	950
9311.1004/250/3		3000						2890			1100
9311.1005/250/4		4000						3880			1250
9311.1006/250/5	5000	4200	425	500	II	4880	4 x ø27	300	1350		
9311.1003/320/2	320	2000	3300	3800	300	400	I	1890	4 x ø20	265	1000
9311.1004/320/3		3000						2890			1200
9311.1005/320/4		4000						3880			1350
9311.1006/320/5	5000	4200	425	500	II	4880	4 x ø27	300	1450		
9311.1007/400/2	400	2000	3300	3800	300	400	I	1890	4 x ø20	265	1100
9311.1008/400/3		3000						2880			1300
9311.1009/400/4		4000						3880			1400
9311.1010/400/5	5000	4200	500	600	II	4880	6 x ø27	350	1550		
9311.1007/500/2	500	2000	3300	3800	300	400	I	1890	4 x ø20	265	1200
9311.1008/500/3		3000						2880			1350
9311.1009/500/4		4000						3880			1500
9311.1010/500/5	5000	4200	500	600	II	4880	6 x ø27	350	1650		
9311.1011/630/2	630	2000	3300	4200	425	500	II	1880	4 x ø27	300	1300
9311.1008/630/3		3000						2880			1450
9311.1009/630/4		4000						3880			1650
9311.1014/630/5	5000	4200	600	700	II	4880	8 x ø30	450	1800		
9311.1011/800/2	800	2000	3300	4200	425	500	II	1880	4 x ø27	300	1400
9311.1012/800/3		3000						2880			1600
9311.1013/800/4		4000						3880			1800
9311.1014/800/5	5000	4200	600	700	II	4880	8 x ø30	450	1950		
9311.1015/1000/2	1000	2000	3300	4200	425	500	II	1880	4 x ø27	300	1450
9311.1016/1000/3		3000						2880			1700
9311.1017/1000/4		4000						3880			1900
9311.1018/1000/5	5000	4200	600	700	II	4880	8 x ø30	450	2050		

SLEWING WALL CRANE (WD)

Containing the following components:

- 1) Console
- 2) Jib arm
- 3) Trolley
- 4) Traction limit
- 5) Cover with buffer
- 6) Electric supply (optional)



- simple and robust construction
- GISKB I + II special profile
- simple installation
- for all industrial applications

The slewing range of the jib arm is 180°.

The deflection of the jib end point with maximum load lies between $c/250$ and $c/800$ (c = jib length).

Specification on electric supplies: see page 4.

Fastening material has to be provided by customer.

Ordering number	Load capacity [kg]	Jib length c [mm]	GISKB	u	v	w	y	z	r	b	q	t	Bores on console [mm]
				[mm]	[mm]	[mm]	[mm]	[mm]	[mm]	[mm]	[mm]	[mm]	
9311.1019/125/2	125	2000	I	240	620	700	501	300	160	1890	405	73	4 x ø27
9311.1020/125/3		3000		240	620	700	501	300	160	2890	505	73	
9311.1021/125/4		4000		240	620	700	501	300	160	3890	605	73	
9311.1025/125/5	160	5000	II	340	1020	1100	901	400	185	320	615	74	4 x ø30
9311.1019/160/2		2000	I	240	620	700	501	300	160	1890	405	73	4 x ø27
9311.1020/160/3		3000		240	620	700	501	300	160	2890	505	73	
9311.1021/160/4		4000		240	620	700	501	300	160	3890	605	73	
9311.1025/160/5	5000	II	340	1020	1100	901	400	185	320	615	74	4 x ø30	
9311.1022/200/2	200	2000	I	240	620	700	501	300	160	1890	405	73	4 x ø27
9311.1023/200/3		3000		240	620	700	501	300	160	2890	505	73	
9311.1024/200/4		4000		340	1020	1100	901	400	185	3880	615	74	
9311.1025/200/5		5000	II	340	1020	1100	901	400	185	4880	615	74	4 x ø30
9311.1022/250/2	250	2000	I	240	620	700	501	300	160	1890	405	73	4 x ø27
9311.1023/250/3		3000		240	620	700	501	300	160	2890	505	73	
9311.1024/250/4		4000		340	1020	1100	901	400	185	3880	615	74	
9311.1025/250/5		5000	II	340	1020	1100	901	400	185	4880	615	74	4 x ø30
9311.1022/320/2	320	2000	I	240	620	700	501	300	160	1890	405	73	4 x ø27
9311.1023/320/3		3000		240	620	700	501	300	160	2890	505	73	
9311.1024/320/4		4000		340	1020	1100	901	400	185	3880	615	74	
9311.1025/320/5		5000	II	340	1020	1100	901	400	185	4880	615	74	4 x ø30
9311.1026/400/2	400	2000	I	240	620	700	501	300	160	1770	525	73	4 x ø27
9311.1027/400/3		3000		340	1020	1100	901	400	185	2880	515	74	
9311.1028/400/4		4000		340	1020	1100	901	400	185	3880	615	74	
9311.1029/400/5		5000	II	340	1020	1100	901	400	185	4880	615	74	4 x ø30
9311.1026/500/2	500	2000	I	240	620	700	501	300	160	1770	525	73	4 x ø27
9311.1027/500/3		3000		340	1020	1100	901	400	185	2880	515	74	
9311.1028/500/4		4000		340	1020	1100	901	400	185	3880	615	74	
9311.1029/500/5		5000	II	340	1020	1100	901	400	185	4880	615	74	4 x ø30
9311.1030/630/2	630	2000	II	340	1020	1100	901	400	185	1880	415	74	4 x ø30
9311.1027/630/3		3000		340	1020	1100	901	400	185	2880	515	74	
9311.1028/630/4		4000		340	1020	1100	901	400	185	3880	615	74	
9311.1033/630/5		5000		340	1020	1100	901	400	185	4880	615	74	
9311.1030/800/2	800	2000	II	340	1020	1100	901	400	185	1880	415	74	4 x ø30
9311.1031/800/3		3000		340	1020	1100	901	400	185	2880	515	74	
9311.1032/800/4		4000		340	1020	1100	901	400	185	3880	615	74	
9311.1033/800/5		5000		340	1020	1100	901	400	185	4880	615	74	
9311.1034/1000/2	1000	2000	II	340	1020	1100	901	400	185	1760	535	74	4 x ø30
9311.1035/1000/3		3000		340	1020	1100	901	400	185	2760	635	74	
9311.1036/1000/4		4000		340	1020	1100	901	400	185	3760	735	74	
9311.1037/1000/5		5000		340	1020	1100	901	400	185	4760	735	74	

ACCESSORIES

Electric supplies for slewing pillar and wall cranes:

Ordering number	Jib length c [mm]	Components
9311.1184.4	2000	1 main operating switch, 2 cable glands PG 21, 1 extension PG 16/21, 1 cable trolley, 5.5 m flat cable
9311.1185.4	3000	1 main operating switch, 2 cable glands PG 21, 1 extension PG 16/21, 2 cable trolleys, 6.5 m flat cable
9311.1186.4	4000	1 main operating switch, 2 cable glands PG 21, 1 extension PG 16/21, 3 cable trolleys, 7.5 m flat cable
9311.1187.4	5000	1 main operating switch, 2 cable glands PG 21, 1 extension PG 16/21, 4 cable trolleys, 8.5 m flat cable

Lifting technology
Crane technology
Vacuum lifting technology

**FAITH IN TECHNOLOGY.
FAITH IN GIS.**

You will find our representatives in more than 40 countries and detailed technical documentation at

www.gis-ag.ch

GIS AG

Hebe- und Fördertechnik
Luzernerstrasse 50
CH-6247 Schötz

Phone +41 (0)41 984 11 33

Fax +41 (0)41 984 11 44

tel@gis-ag.ch

www.gis-ag.ch

Certified to ISO 9001

GIS

Lifting and crane technology

Faith in technology. Faith in GIS.