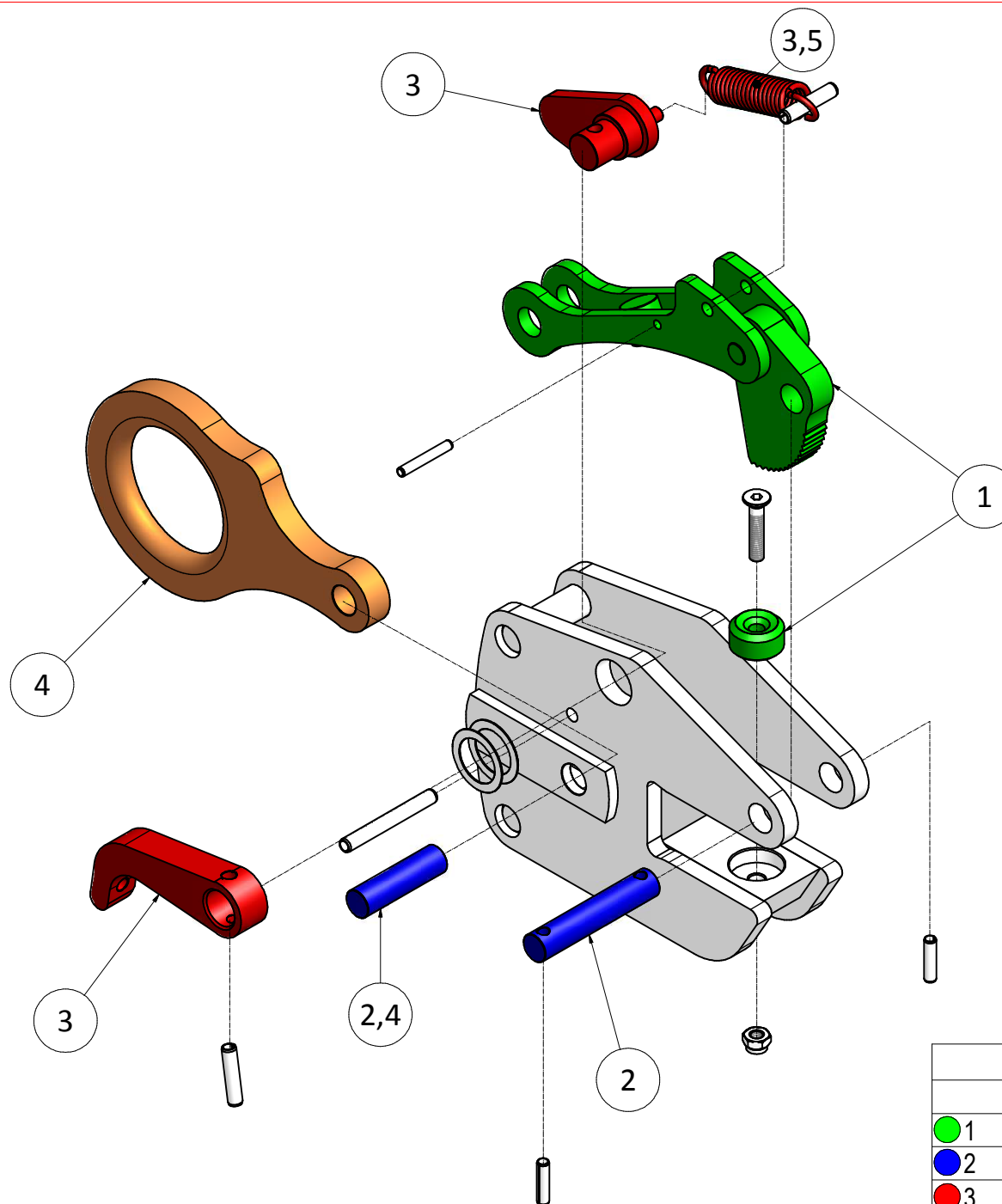


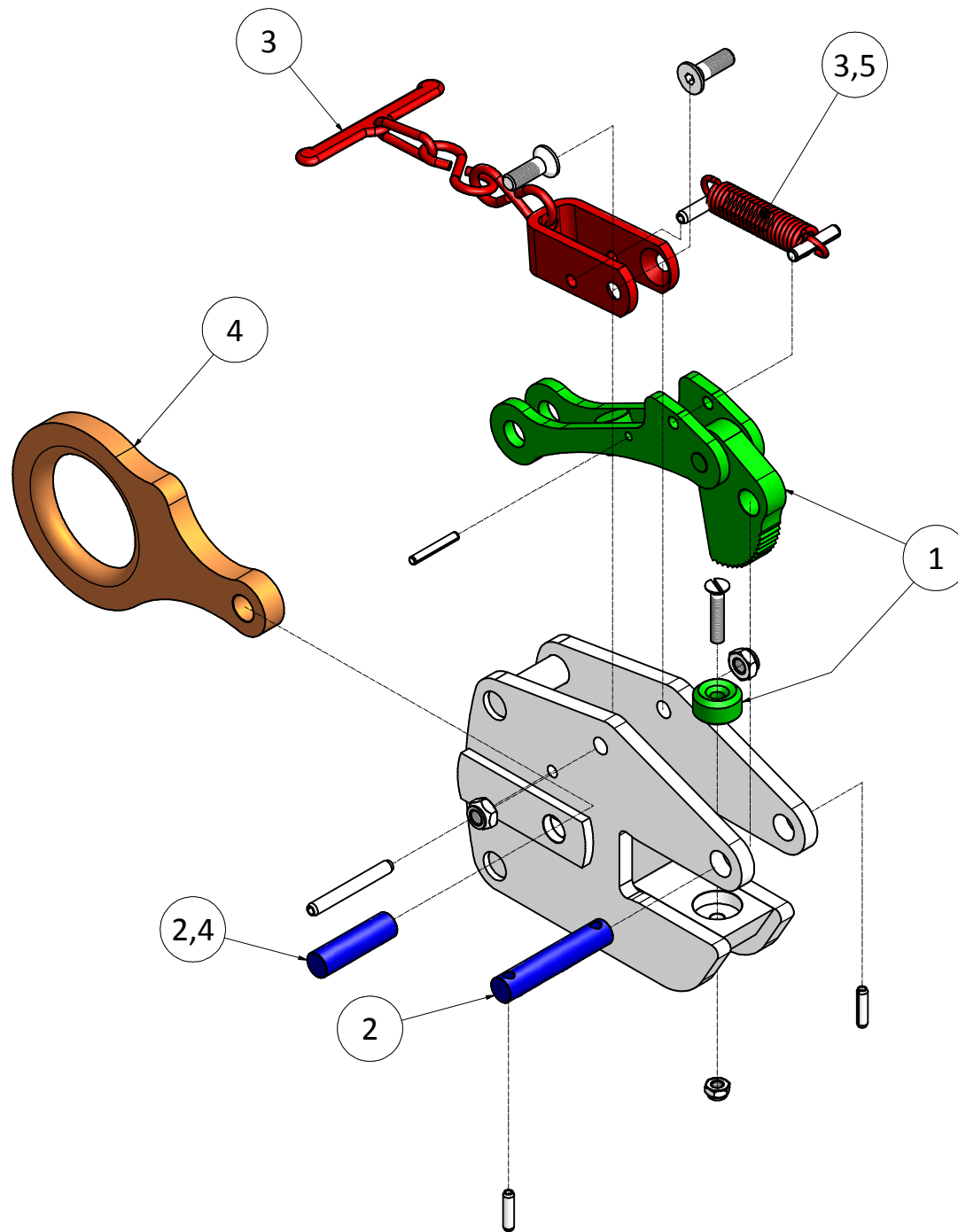
The required fasteners are included in each set
*Set of 5 Lock Springs

Spare Part Set MPC1					
	Capacity	1000kg	2000kg	3000kg	5000kg
● 1	Gripping Elements	163348	163350	163351	170713
● 2	Pins	163357	163360	163363	170715
● 3	Safety Lock	170716	170724	163372	170729
● 4	Lifting Shackle	170721	170726	163384	170732
5	Spring*	258902	258904	258906	258907



The required fasteners are included in each set
*Set of 5 Lock Springs

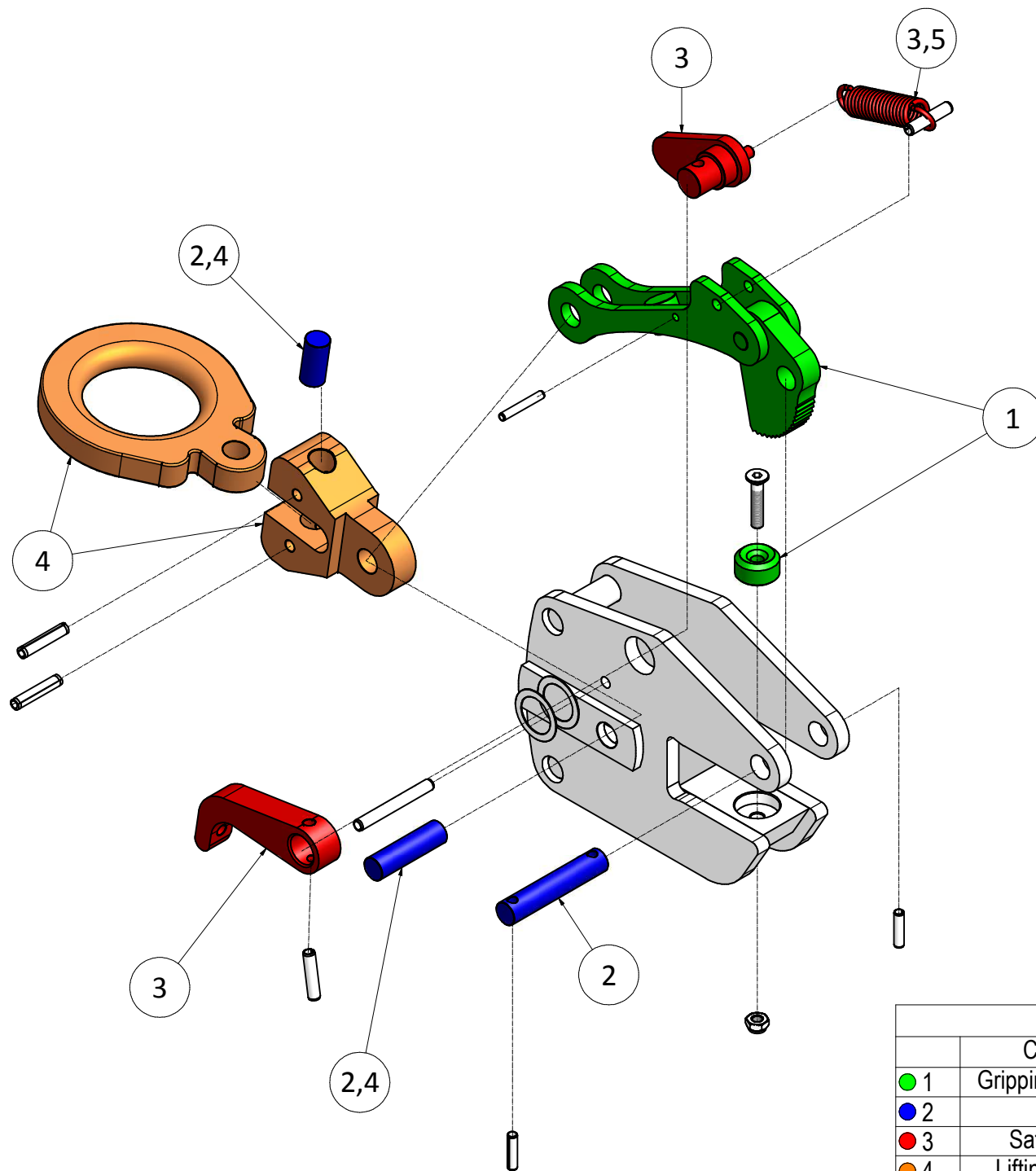
Spare Part Set MPS2					
	Capacity	1000kg	2000kg	3000kg	5000kg
1	Gripping Elements	163348	163350	163351	170713
2	Pins	163356	163359	163362	170714
3	Safety Lock	163365	170725	163374	170718
4	Lifting Shackle	163378	163380	163383	170730
5	Spring*	258902	258904	258906	258907



The required fasteners are included in each set
*Set of 5 Lock Springs

Spare Part Set MPS1

	Capacity	1000kg	2000kg	3000kg	5000kg
1	Gripping Elements	163348	163350	163351	170713
2	Pins	163356	163359	163362	170714
3	Safety Lock	170716	170724	163372	170729
4	Lifting Shackle	163378	163380	163383	170730
5	Spring*	258902	258904	258906	258907



The required fasteners are included in each set
 *Set of 5 Lock Springs

Spare Part Set MPC2					
	Capacity	1000kg	2000kg	3000kg	5000kg
● 1	Gripping Elements	163348	163350	163351	170713
● 2	Pins	163357	163360	163363	170715
● 3	Safety Lock	163365	170725	163374	170718
● 4	Lifting Shackle	170721	170726	163384	170732
5		258902	258904	258906	258907