

Fit all your needs

The GS Special series, available in several versions, is the ideal working tool for moving nearly all sizes of pallet. Suitable for smooth floors or other kinds of surfaces, these pallet trucks guarantee easy and light manoeuvrability.



24 months warranty
excluding wearing parts



Steel rollers

The GS20 S4/B version - with its low profile, and reduced-diameter steel rollers, has the same capacity (2000Kg) as all the other versions in this Series.

The hand pallet trucks of this series have big wheels (200x50) to reduce handling effort.

Wheels



Tie-rod

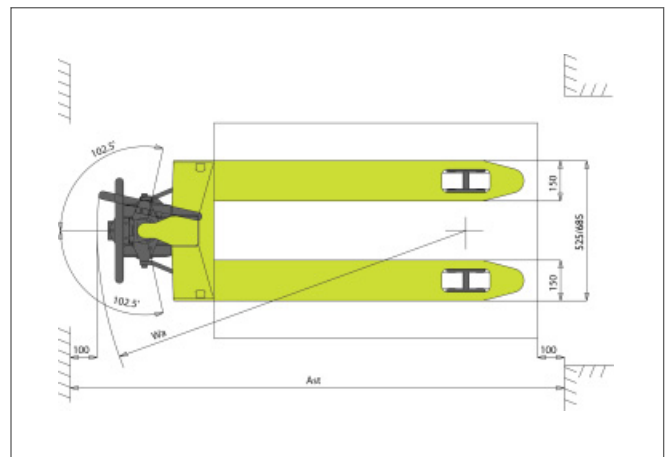
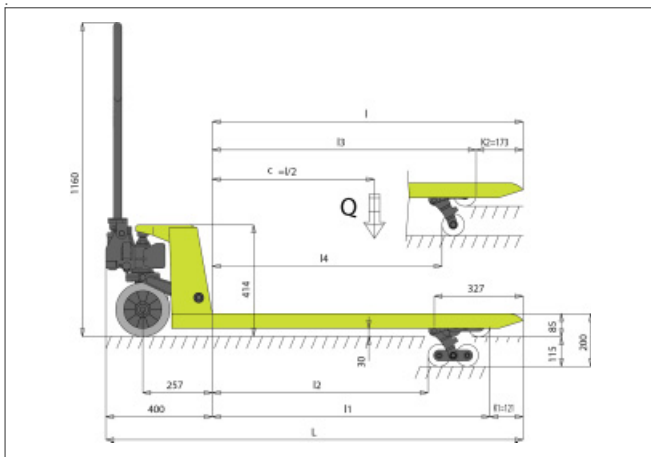
The steel tie-rods and reinforced forks give the pallet truck a greater strength, giving a good lifting capacity even for the longer sizes.

HAND PALLET TRUCKS

SERIES GS SPECIAL

CODE		GFA71A00	GFA91A00	GFAA1A00	GFAB1A00	GFBO0000	GM541000	GMB41000
MODEL		20 S4	20 S4	20 S4	20 S4	25 S4/M	SUPERQUICK 25 S2/R	SUPERQUICK 25 S4/R
CAPACITY	kg	2000	2000	2000	2000	2500	2500	2500
ROLLERS	N°/*	4/N	4/N	4/N	4/N	4/N	2/N	4/N
WHEELS	*	G	G	G	G	G	G	G
DIMENSIONS								
FORK LENGTH	mm	1350	1500	1800	2000	800	1150	1150
FORK WIDTH	mm	525	525	525	525	400	525	525
HEIGHT FROM THE FLOOR MIN/MAX	mm	85/200	85/200	85/200	85/200	85/200	85/200	85/200
WEIGHT	kg	87	101	108	113	54	63	67
OPTIONAL								
OPTIONAL ROLLERS IN POLYURETHANE		GZ000S00002	GZ000S00002	GZ000S00002	GZ000S00002	GZ000S00002	GZ000S00000	GZ000S00002
OPTIONAL WHEELS IN POLYURETHANE		GZ000S00004	GZ000S00004	GZ000S00004	GZ000S00004	GZ000S00004	GZ000S00004	GZ000S00004
OPTIONAL HAND OPERATED BRAKE		GZ000S00005	GZ000S00005	GZ000S00005	GZ000S00005	GZ000S00005	GZ000S00005	GZ000S00005
CODE		GNA41000	GF545000	GF450000	GF525000	GF250000	GF565000	GF650000
MODEL		20 S4/B	25 S2/L	25 S4/L	25 S2/L	25 S4/L	25 S2/L	25 S4/L
CAPACITY	kg	2000	2500	2500	2500	2500	2500	2500
ROLLERS	N°/*	4/A	2/N	4/N	2/N	4/N	2/N	4/N
WHEELS	*	G	G	G	G	G	G	G
DIMENSIONS								
FORK LENGTH	mm	1150	1150	1150	1000	1000	1220	1220
FORK WIDTH	mm	525	685	685	685	685	685	685
HEIGHT FROM THE FLOOR MIN/MAX	mm	56,5/170	85/200	85/200	85/200	85/200	85/200	85/200
WEIGHT	kg	71	70	74	66	70	72	76
OPTIONAL								
OPTIONAL ROLLERS IN POLYURETHANE		-	GZ000S00000	GZ000S00002	GZ000S00000	GZ000S00002	GZ000S00000	GZ000S00002
OPTIONAL WHEELS IN POLYURETHANE		-	GZ000S00004	GZ000S00004	GZ000S00004	GZ000S00004	GZ000S00004	GZ000S00004
OPTIONAL HAND OPERATED BRAKE		-	GZ000S00005	GZ000S00005	GZ000S00005	GZ000S00005	GZ000S00005	GZ000S00005

G=Rubber, N=Nylon, A=Steel



	800	1000	1150	1220	1350	1500	1800	2000
I	800	1000	1150	1220	1350	1500	1800	2000
I1	679	879	1029	1099	1229	1379	1679	1879
I2	450	650	800	870	1000	1150	1450	1650
I3	627	827	977	1047	1177	1327	1627	1827
I4	500	700	850	920	1050	1200	1500	1700
L	1200	1400	1550	1620	1750	1900	2200	2400
Wa	1019	1218	1367	1437	1566	1715	2015	2215
Ast	1484	1683	1832	1902	2031	2180	2480	2680

The producer reserves the right to introduce changes to models and features without prior notice.