

Making the load lighter

The GS Pro Series, is an excellent tool for lifting and carrying loads on pallets or size-standardised containers. Thanks to its light weight, smooth movement and manoeuvrability, all the GS Series models are an ideal working tool for use on smooth floors and other kinds of surfaces.



24 months warranty
excluding wearing parts

The nylon rollers guarantee safe and smooth rolling. The optional polyurethane rollers provide excellent silent movement, and prevent damage even to the most delicate floors.



Painting

The base, following conditioning, is painted with a tough epoxy coating at 250°C. This gives a high quality finish, and awards greater resistance to daily wear-and-tear, and atmospheric damage.

The hand pallet trucks of this series have big wheels (200x50) to reduce handling effort.



Maximum pressure valve

When maximum load capacity is exceeded, the oil pressure exceeds its maximum limit and the valve automatically stops the forks from lifting. This prevents possible structural damage.

Rollers



Wheels

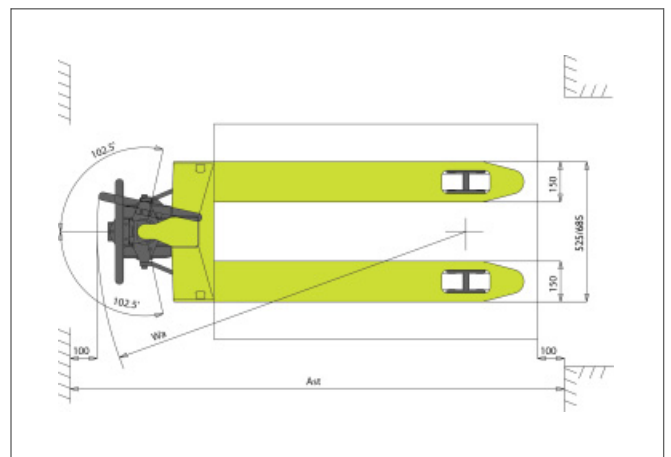
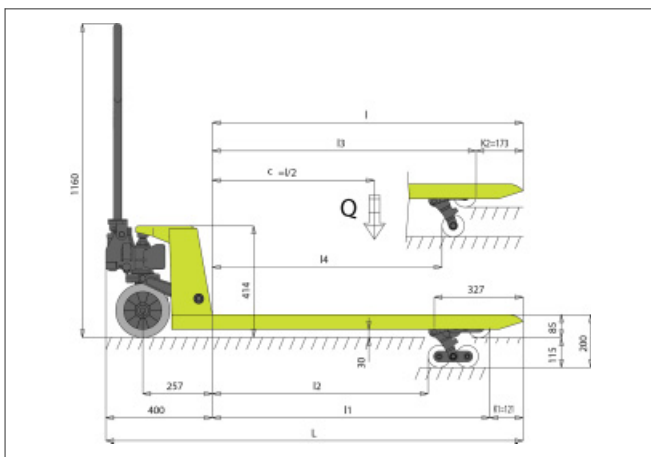


HAND PALLET TRUCKS

SERIES GS PRO

CODE		GF541000	GF41000	GF501000	GF801000	GF511000	GF811000	GF521000	GF821000	GF561000	GF861000
MODEL		25 S2	25 S4	25 S2	25 S4	25 S2	25 S4	25 S2	25 S4	25 S2	25 S4
CAPACITY	kg	2500	2500	2500	2500	2500	2500	2500	2500	2500	2500
ROLLERS	N°/*	2/N	4/N	2/N	4/N	2/N	4/N	2/N	4/N	2/N	4/N
WHEELS	*	G	G	G	G	G	G	G	G	G	G
DIMENSIONS											
FORK LENGTH	mm	1150	1150	800	800	950	950	1000	1000	1220	1220
FORK WIDTH	mm	525	525	525	525	525	525	525	525	525	525
HEIGHT FROM THE FLOOR MIN/MAX	mm	85/200	85/200	85/200	85/200	85/200	85/200	85/200	85/200	85/200	85/200
WEIGHT	kg	63	67	53	57	56	60	59	63	65	69
OPTIONAL											
OPTIONAL ROLLERS IN POLYURETHANE		GZ000S00000	GZ000S00002	GZ000S00000	GZ000S00002	GZ000S00000	GZ000S00002	GZ000S00000	GZ000S00000	GZ000S00000	GZ000S00002
OPTIONAL WHEELS IN POLYURETHANE		GZ000S00004	GZ000S00004	GZ000S00004	GZ000S00004	GZ000S00004	GZ000S00004	GZ000S00004	GZ000S00004	GZ000S00004	GZ000S00004
OPTIONAL HAND OPERATED BRAKE		GZ000S00005	GZ000S00005	GZ000S00005	GZ000S00005	GZ000S00005	GZ000S00005	GZ000S00005	GZ000S00005	GZ000S00005	GZ000S00005

G=Rubber, N=Nylon



	800	950	1000	1150	1220
I	800	950	1000	1150	1220
I1	679	829	879	1029	1099
I2	450	600	650	800	870
I3	627	777	827	977	1047
I4	500	650	700	850	920
L	1200	1350	1400	1550	1620
Wa	1019	1168	1218	1367	1437
Ast	1484	1633	1683	1832	1902

The producer reserves the right to introduce changes to models and features without prior notice.