

Elevated Strength

The TX Series, available in several versions, features manual movement and electric lifting. These models are very steady, and are suitable for lifting very heavy loads. The TX12 version has polyurethane wheels as standard to reduce resistance and effort required even with the full load capacity (1.2t).

Batteries and battery charger built in



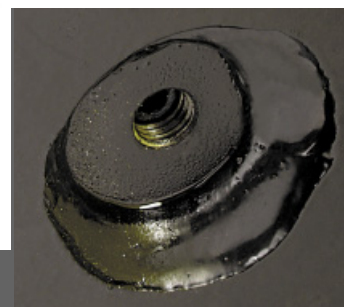
12 months warranty

The foot-brake, situated on the right wheel, is also a parking brake.



Battery charger

The cut-off key functions as both a start-and-stop mechanism and parking and safety brake.



Adjustable pads

Foot-brake



In case of low battery power, the control system prevents lifting.

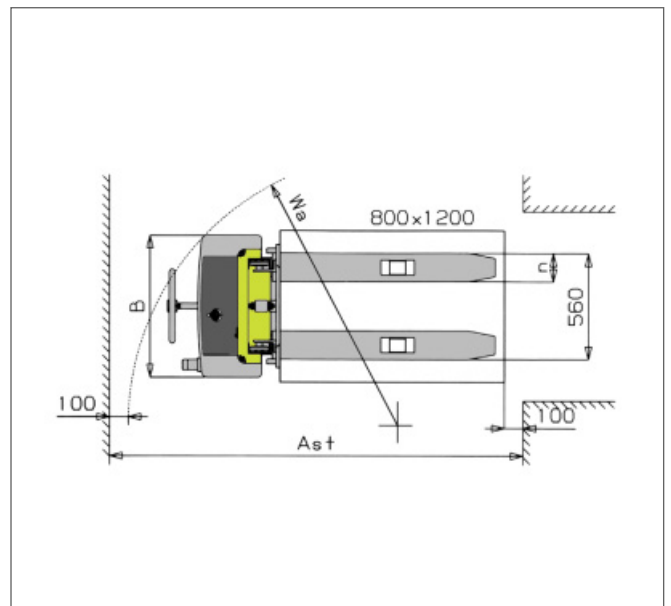
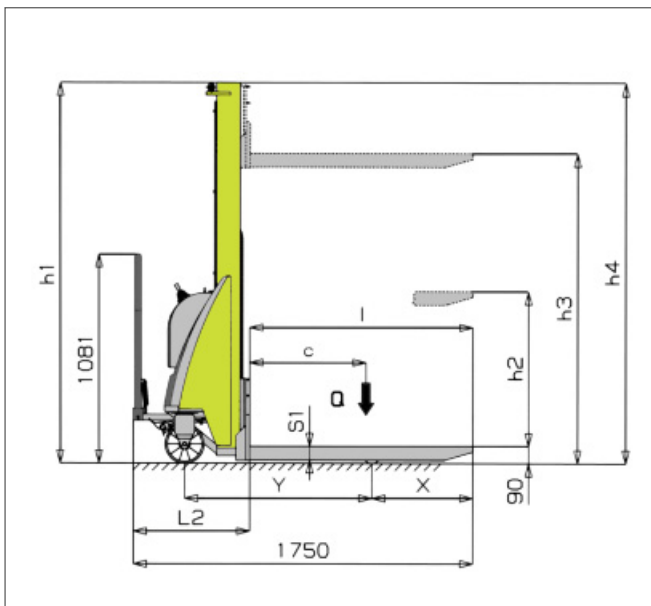
Starting and cutoff battery key



Due to its higher lift & load capacity, the TX12 models are fitted with adjustable buffers to minimize possible swings.

CODE				HA010000	HA310000	HA410000	HA512000	HA612000	HA712000
CODE UK				HA010700	HA310700	HA410700	HA512700	HA612700	HA712700
MODEL				TX 10/09	TX 10/16	TX 10/20	TX 12/25	TX 12/29	TX 12/35
CAPACITY	Q	Nominal load	kg	1000	1000	1000	1200	1200	1200
CENTER OF GRAVITY	C	Distance	mm	600	600	600	600	600	600
DRIVING SYSTEM		Escort	type	●	●	●	●	●	●
DIMENSIONS									
ELEVATION	h3	Elevation	mm	900	1600	2000	2500	2900	3500
	h2	Normal free elevation	mm	810	1510	1910	-	-	80
LENGTH	l	Fork length	mm	1150	1150	1150	1150	1150	1150
	nxS1	Fork width x thickness	mm	150X70	150X70	150X70	150X70	150X70	150X70
DIMENSIONS	L	Total length	mm	1750	1750	1750	1850	1850	1850
	L2	Steer unit length	mm	600	600	600	700	700	700
	B	Width	mm	750	750	750	850	850	850
	h1	Minimum dimensions	mm	1300	1970	2370	1780	1980	2250
	B1	Maximum dimensions (min/max)	mm	1300	1970	2370	2985	3385	3915
TURNINGS RADIUS	Wa		mm	1440	1440	1440	1760	1760	1760
STOWAGE PASSAGE	Ast	800x1200	mm	2210	2210	2210	2375	2375	2375
PERFORMANCES									
SPEED		Lifting with/without load	m/s	0,09/0,12	0,09/0,12	0,09/0,12	0,07/0,10	0,07/0,10	0,07/0,10
		Descent with/without load	m/s	0,4/0,1	0,4/0,1	0,4/0,1	0,4/0,1	0,4/0,1	0,4/0,1
WEIGHTS									
EMPTY WEIGHT		With battery	kg	290	305	315	424	440	485
AXLE LOADING		With load (driver/load)	kg	226/1064	239/1066	251/1064	500/1125	509/1131	545/1140
		Without load (driver/load)	kg	195/95	208/97	220/95	308/117	317/123	353/132
FRAME									
WHEELS		Driver side/load	Nr	2/2	2/2	2/2	2/2	2/2	2/2
TYRES		Driver side/load	*	G/N	G/N	G/N	P/N	P/N	P/N
		Stabilizer wheels dimensions	mmØ	200X50	200X50	200X50	200X50	200X50	200X50
		Load side dimensions	mmØ	82X70	82X70	82X70	82X70	82X70	82X70
WHEELS BASE	Y	Back/Front	mm	965	965	965	1155	1155	1155
	X		mm	520	520	520	365	365	365
OPERATING BRAKE		Mechanic	type	●	●	●	●	●	●
ELECTRICAL EQUIPMENT									
ELECTRIC MOTORS		Lifting motor	kW	1,6	1,6	1,6	2,2	2,2	2,2
BATTERY		Starter	type	●	●	●	●	●	●
		Voltage/capacity	V/Ah	12/74	12/74	12/74	24/74	24/74	24/74
		Weight	kg	18	18	18	36	36	36
CHARGER			V-A	12-15	12-15	12-15	24-13	24-13	24-13

* G=Rubber, P=Polyurethane, N=Nylon



The producer reserves the right to introduce changes to models and features without prior notice.