

# UPDOWN

## Aluminium Stools

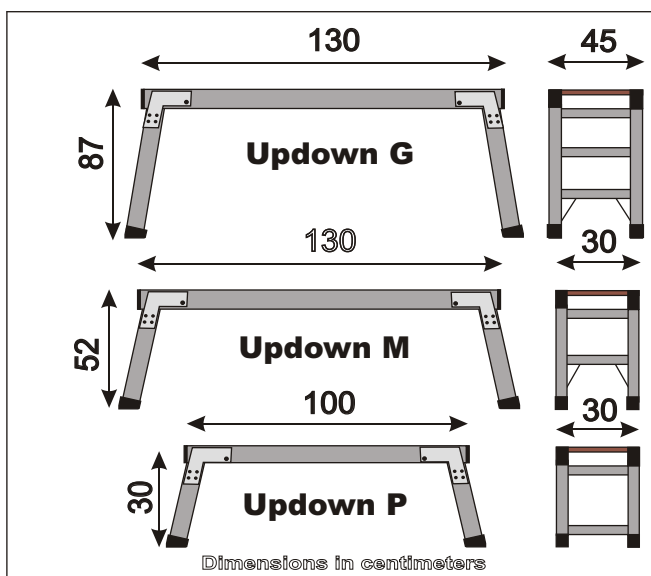


**Foldable legs**



Technical features	UP&DOWN P	UP&DOWN M	UP&DOWN G
Platform high m	0,30	0,52	0,87
Working high m	2,30	2,60	2,90
Total weight Kg	5,6	7,7	11,0
Packaging cm	15,5x100x30	15,5x130x30	23x130x54
Volume m <sup>3</sup>	0,046	0,060	0,162
Profile mm	65x35	65x35	65x35

Other dimensions on request  
 Technical features can be changed without notice



**Aluminium heavy duty stool for professional use.**  
 Capacity 250 kg (2 persons).

It is made in light extruded aluminium and it can be folded very easily.

It is equipped with a strong and comfortable large non-skid wooden platform painted and protected against the rain.

(Aluminium platform on request)

It can be easily open and closed and is suitable for decorating, plasterers, coach builders, false ceiling installers.

Ideal for car painters who can paint van or jeep roofs with a continuous lateral movement and with a continuous painting action.

Thermo-shrinkable package

Welding conforms to European Standard  
 ISO 9000 EN287/1/2.

GUARANTEE



ISO 9000  
 UNI EN287/1/2



Quality Ladders and Scaffoldings